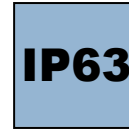


CF08 Series Correctional Facility Light

08" X 48" CORNER MOUNT



PROJECT INFORMATION

Project Name _____

Catalog No. _____ Date _____

DESCRIPTION

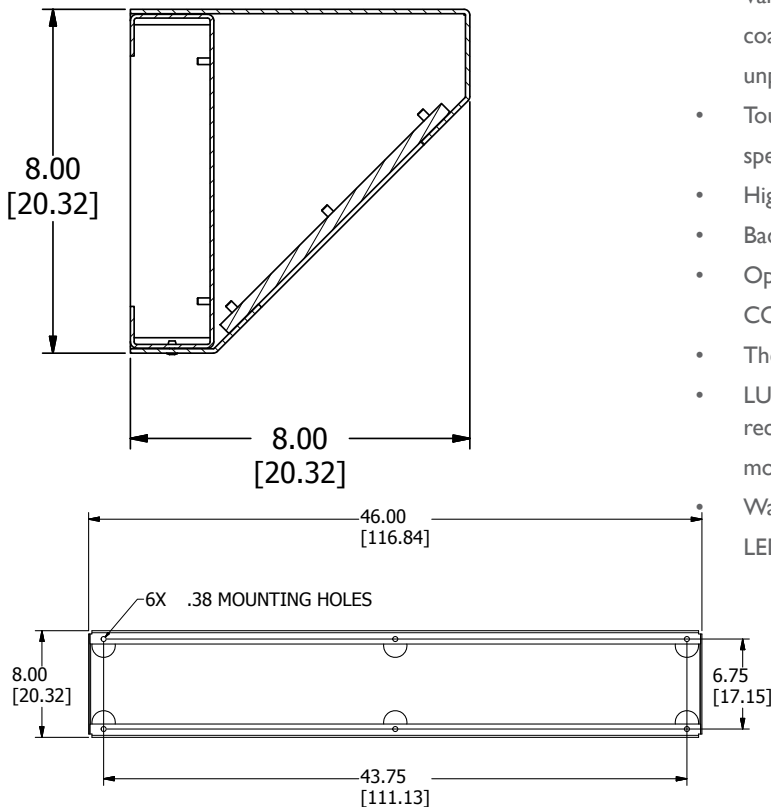
The ActiveLED® Correctional Facility Series, Corner Mount provides clear and concise illumination that is able to withstand repeated extreme and even violent abuse by offenders and resists contraband concealment. The tamper-proof hardware is ideal for Correctional Facilities and delivers best-in-industry security, safety and energy efficiency. Night light and general illumination is adjustable to achieve optimum light output for the size of the cell.

Applications include: Federal, State and County prisons, jails and juvenile detention centers.



Correctional Facility Series Corner Mount

DIMENSIONS



FEATURES

- Vandal Resistant Enclosure - Cold Rolled 12 gauge steel. Powder coated after fabrication. Also available in 14 gauge stainless steel, unpainted.
- Touch Bolt option for either seven step dimming or on/off control, specify with order
- High Impact Diffuser - Tested at over 6 joules.
- Back enclosed option for rough or soft surfaces.
- Optional Night Light - Independently controlled Night Light at 2700K CCT option.
- ThermalDRAW™ Patented Cooling Technology .
- LUM-INTENSE™ - LED lighting luminaire technology that combines recent advancements in LED Modules, Drivers and Optics to deliver more Lumens per Watt in a smaller package.
- Warranty - 10 Year Warranty on LED elements, fixture housing, and LED Driver.

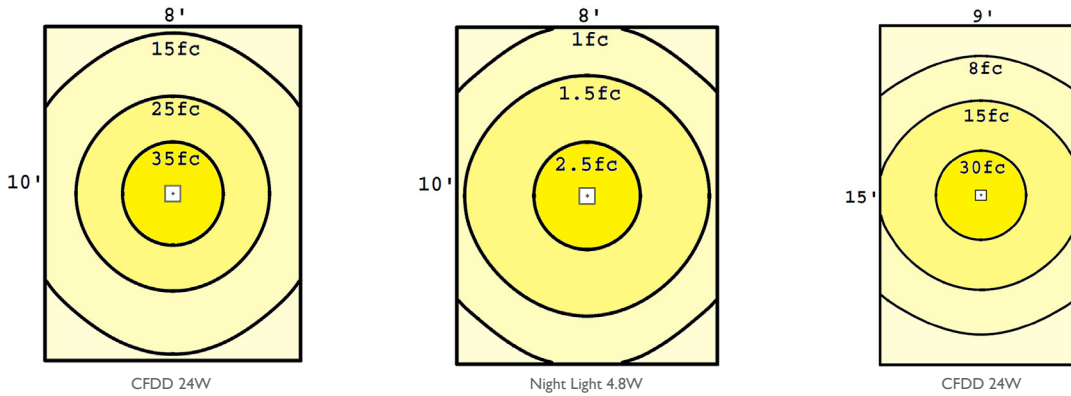


ActiveLED®
Energy Efficient Lighting and Controls



LIGHT OUTPUT	WATTS	LUMENS per WATT	LIGHT COLOR (CCT)
2,800 lm	25 W	110 lm/W	4000 K

PHOTOMETRICS



GENERAL SPECIFICATIONS

Input Voltage	All Voltage 100..277V AC 50/60 Hz	LED Optics	IP63 rated, thermally bonded LEDs. Patented thermal management mounting system.
Input Power	26, 35, 52 Input watts, adjustable.	CCT	2700K, 3000K, 3500K, 4000K, or 5000K
Power Factor	> 0.90 (at ~120 Volts)	Housing	12 Gauge, Powder Coated, Cold Rolled steel or 14 gauge, Unpainted, stainless steel for enclosure, aluminum for heat sinking parts, stainless steel hardware.
Inrush Current	≤ .87	Wall Surfaces	Open or enclosed for rough or soft surfaces
THD	Total Harmonic Distortion (THD) < 20%	Finish	Powder coated after fabrication.
Driver	Integral UL-Listed driver E332932 with aluminum housing and integral heat sink.	Dimensions	10.14" Height, 10.14" Wide and 4" Depth (25.75cm x 25.75cm x 10.16cm)
Operating Temperature	-58° F to 149° F (-50° C to 65° C)	Weight	12 pounds (5.44 kg)
Lumen Lifetime	L90/90K Hrs @ 60° C (90,000 Hrs with 90% Luminous Flux)		
Diffuser and Splash Shield	UL94-V0 Macrolon UV Stabilized		

WARRANTY

Ten (10) Year Warranty - LEDs, Fixture, and Driver shall conform to its published specifications under normal usage and operating conditions including "no light loss" of more than 10% at the end of the period. LEDs will produce at least 90% of their initial light output with no significant color shift after 90,000 hours of operation.

LISTINGS AND TESTS

cUL listed driver E332932 UL1310 and UL8450 and fixture ULI598, E481724, CE, suitable for damp locations. RoHS compliant. IP63 Rated optical assembly. TM21 based on CALIPER ISTM Test to ULI598, LM-80 info available. Conforms to FCC Part 15.19 Subpart B Class A. Made in USA - ARRA Compliant.

ORDERING INFORMATION

Example: CF0848SD-CD-A-C35R24WH

Style	Mount	Touch Bolt	Voltage	Diffuser	CCT	Watts	Color
CF0848DD Correction Facility Dual Driver	C Corner Mount	D Touch Bolt with Seven Step Dimming	A 100/277 VAC, All Voltage 50/60 Hz	C High Impact (default) Composite Diffuser UL94-V0 Macrolon	50 5,000K	R24 24W LED, 26 W Max 2900 lm	RA Unpainted Stainless
CFS0848DD Correction Facility Stainless Dual Driver	B Corner Mount with Back Enclosed	O Touch Bolt with On/Off Control	AB 100/277 VAC, All Voltage 50/60 Hz EBBU enabled ²		40 4,000K	R32 32W LED, 35 W Max 3900 lm	WH White
CF0848SD Correction Facility Single Driver		N No Touch Bolt	N None ¹		35 3,500K	R48 48W LED, 52 W Max 5700 lm	X Custom
CFS0848SD Correction Facility Stainless Single Driver					30 3,000K		
					27 2,700K		

¹ Requires remote driver. Consult factory.

² Option: EBBU-U-LIF-32180 EBBU- Emergency Battery Backup Unit, batteries + driver + charger for emergency lighting.